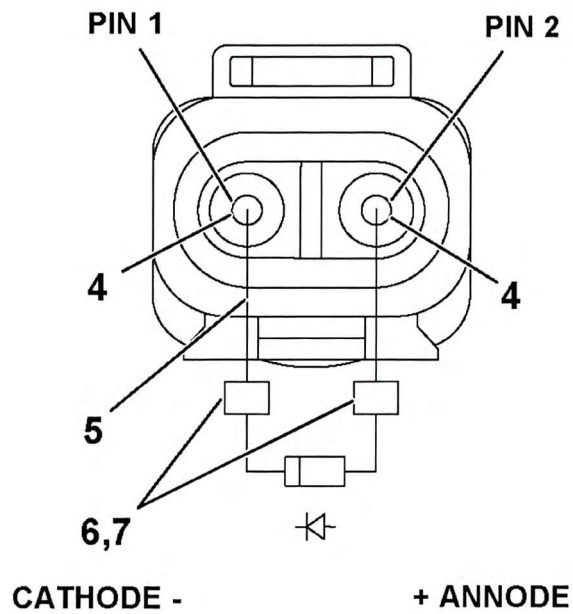
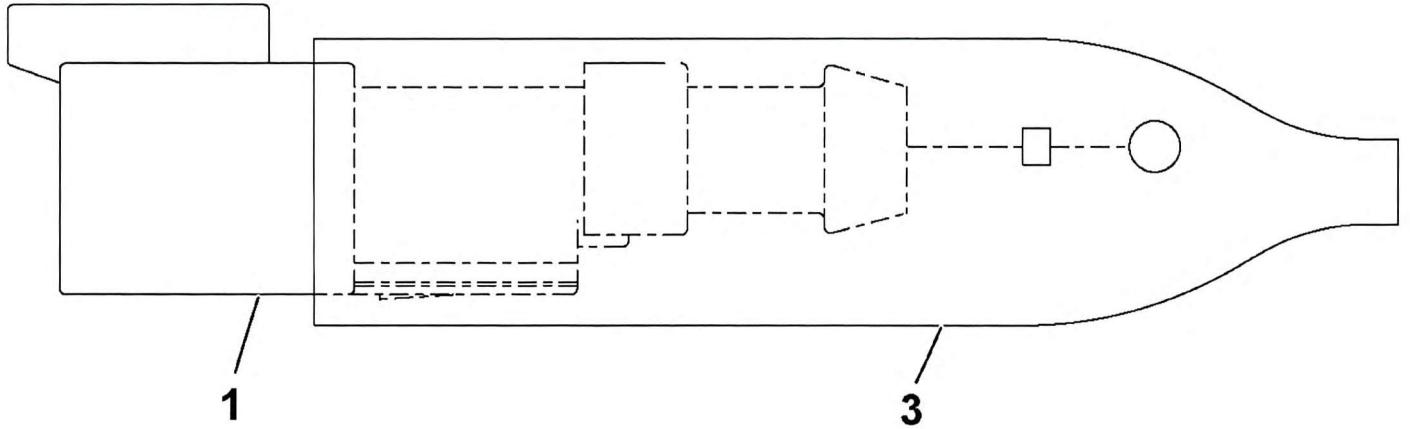


Manitowoc Cranes



DIODE SHOWN LOWER THAN
CONNECTOR FOR PIN LOADING
CLARITY.

ITEMS NOT SHOWN NBR
2